

When there is not enough wires, this is the answer!

WR-400™ 4 CHANNEL WIRELESS RELAY KIT

The WR-400™ Wireless Relay Kit contains two 4-channel transceivers. The base module has 3 transmitting channels and 1 receiving channel. The satellite module has 3 receiving channels and 1 transmitting channel. Each transceiver module uses a redundant transmission protocol for failsafe protection. If either module does not receive a valid ON or OFF transmission signal within 60 seconds, the output(s) will be turned off.

CONTROL APPLICATIONS:

- Cooling equipment
- Heating equipment
- Condensing units
- Fans
- Pumps
- Industrial equipment
- Lighting control

MONITORING APPLICATIONS:

- Cooling equipment
- Heating equipment
- Fans
- Industrial equipment
- Temperature limits
- Pressure limits

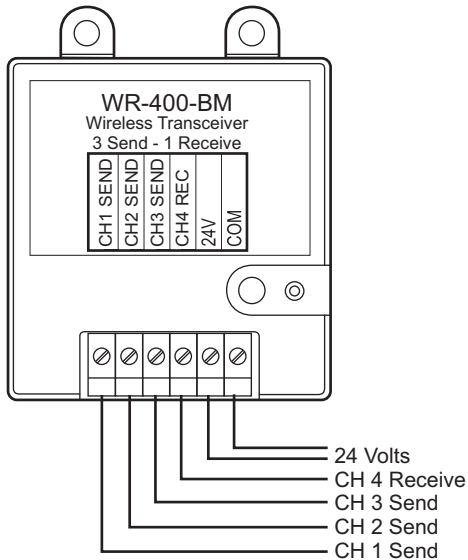
Wireless RELAY™



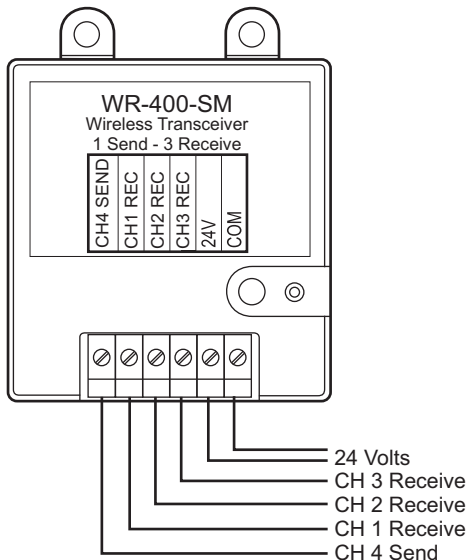
MADE IN
USA

WR-400™ Wireless 4-Channel Relay Kit

Wireless Transceiver Base Module Model WR-400-BM



Power:	24VAC, 2.8VA
Channels:	4 (3 Send - 1 Receive)
Contact Rating:	1 Amp per channel
Addresses:	Up to 6 relay kits using 4-channels can be installed in the same building
Frequency:	915MHz proprietary protocol
Range:	100 to 200 feet from satellite module depending on type of building
Dimensions:	2.25" x 2.50" x 1.00" (W x H x D)



Wireless Transceiver Satellite Module Model WR-400-SM

Power:	24VAC, 2.8VA
Channels:	4 (1 Send - 3 Receive)
Contact Ratings:	1 Amp per channel
Frequency:	915MHz proprietary protocol
Range:	100 to 200 feet from base module depending on type of building
Dimensions:	2.25" x 2.50" x 1.00" (W x H x D)