

TK-400™ Universal Twinning Kit

GENERAL

The Jackson Systems TK-400 Universal Twinning Kit™ is designed to allow a single thermostat to control two separate HVAC units. The TK-400 can also be expanded to control two additional HVAC units. The Universal Twinning Kit™ can be used with single stage (1 Heat / 1 Cool), multi-stage (2 Heat / 2 Cool) and heat pump (3 Heat / 2 Cool) equipment.

SEQUENCE OF OPERATION

The TK-400 is designed to control each HVAC unit collectively based on the thermostat input. For example, if the thermostat calls for first stage cooling, 'Y1' and 'G' on both HVAC units will be energized at the same time.

INSTALLATION

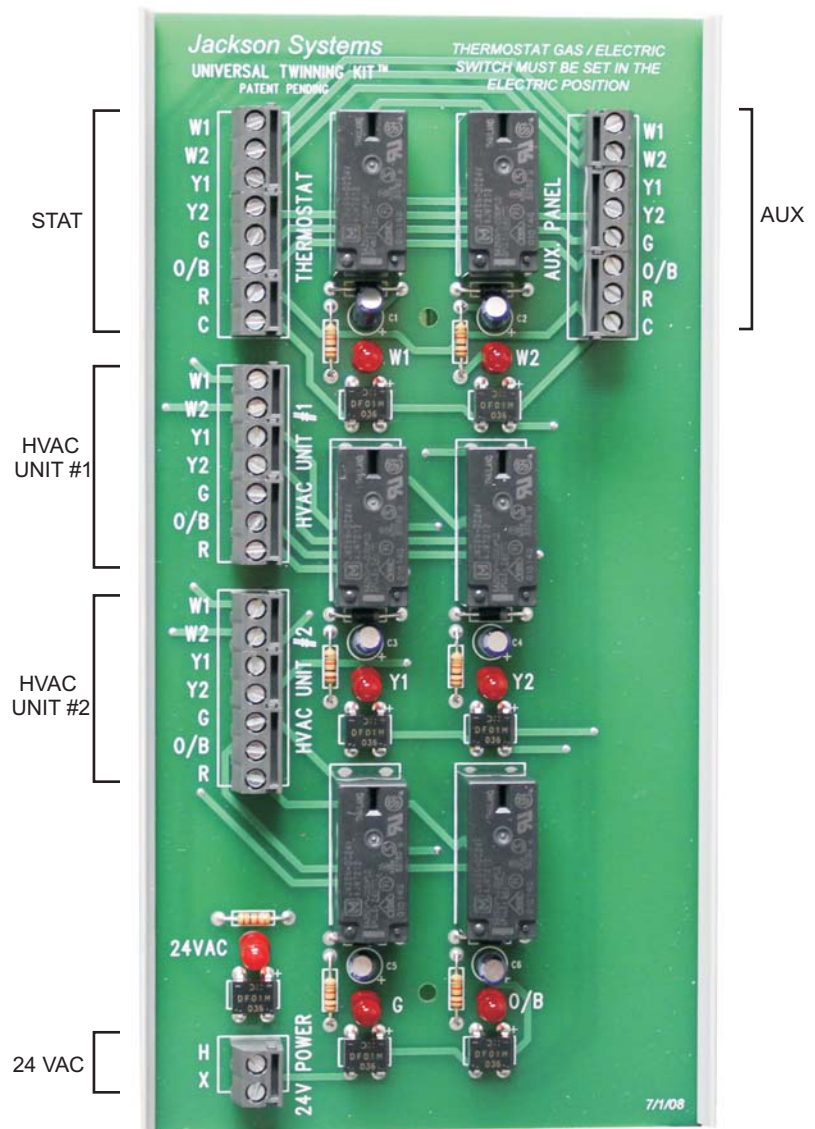
To install the panel, first slide the PC board out of its base and screw the base to a flat surface in a location that allows easy access to wiring. Reinstall the PC board by carefully centering it over the base and snapping it into the track grooves.

Connect a separate 24 Vac, 40VA transformer to the twinning terminals marked 'H' and 'X'.

Only standard 18 gauge thermostat wire is required. The thermostat and HVAC units can be located up to 300 feet from the twinning kit.

The thermostat must be equipment compatible.
(heat / cool stats for heat / cool equipment and heat pump stats for heat pumps)

Wire the thermostat to the terminals marked 'STAT'. **Thermostat fan operation must be set for electric.**



Wire appropriate HVAC unit to terminals marked 'HVAC UNIT #1' and 'HVAC UNIT #2'.

Only identical furnaces should be twinned in order to insure both furnaces start at the same time.

*If furnaces are not identical, backdraft dampers may be required.

Jackson
SYSTEMS